

Protokollumsetzer FTC470XMB

Protocol converter to interface the BMS bus with Modbus RTU



Protocol converter FTC470XMB

Protocol converter to interface the BMS bus with Modbus RTU



FTC470XMB

Device features

- Modbus RTU interface for communication with higher-level systems (building management systems or visualisation software)

Product description

The protocol converter FTC470XMB is designed to transmit data from the BMS bus to the Modbus RTU and vice versa. In this way, information from communication-capable Bender products, such as EDS, RCMS or MEDICS® systems can be integrated into a Modbus RTU system. Programming and adaptations on the Modbus RTU side have to be carried out by the user. In mode 1, up to 10 BMS-compatible Bender devices can be displayed with one FTC470XMB.

Application

- Transmitting all BMS data to Modbus RTU
- Displaying Bender data on Modbus RTU-compatible software
- Reactions on the Modbus RTU side to BMS events
- Control of BMS systems via Modbus RTU
- Connection to Modbus-RTU-compatible building services management systems
- Reactions on the BMS side to events on the Modbus RTU side

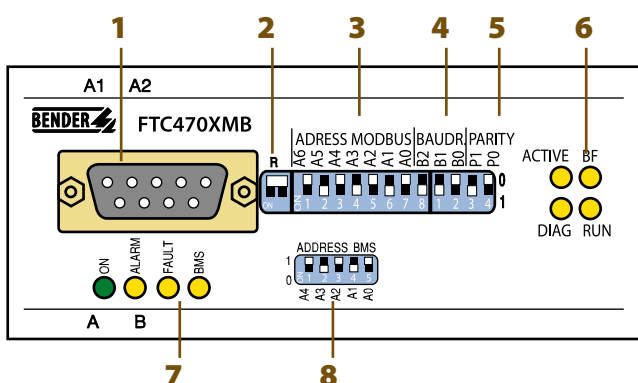
Function

The protocol converter FTC470XMB is incorporated into the Modbus RTU network as a slave and in a BMS system either as a master or a slave. The Modbus RTU master, e.g. a personal computer utilising a Modbus RTU interface or a PLC must be programmed in a way that the protocol converter is capable of triggering the respective requests and getting the replies. For appropriate programming, the user is required to have a thorough Modbus RTU knowledge. The entire command syntax is a component of the FTC470XMB operating manual.

Approvals

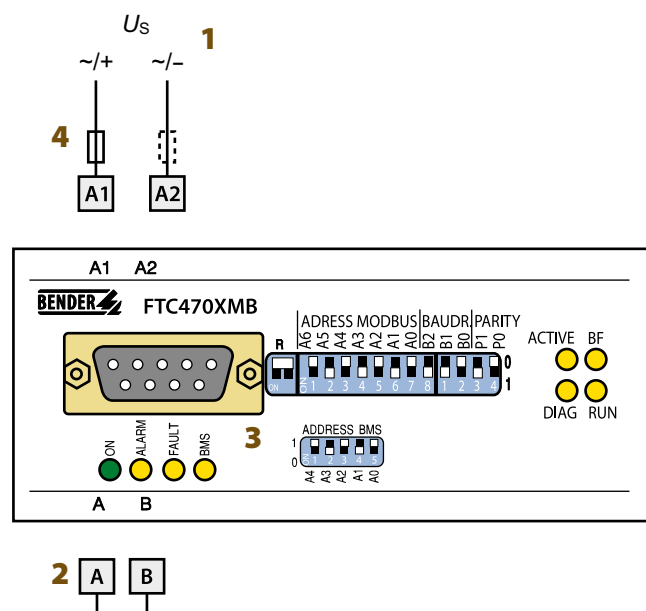


Operating elements



- 1 - Socket for Modbus RTU cable: 9-pin SUB-D
- 2 - Micro switch for Modbus RTU termination: "ON" = terminating resistor activated
- 3 - DIP switches for binary addressing of Modbus RTU: 1...127
- 4 - DIP switches for binary baud rate setting of Modbus RTU: 1200...57600 bit/s
- 5 - DIP switches for binary parity setting of Modbus RTU: none/even/odd
- 6 - Modbus RTU status indication
- 7 - BMS bus status indication
- 8 - DIP switches for binary BMS bus address setting: 1...30

Wiring diagram



- 1 - Supply voltage $U_S = AC/DC 85...276 V$
- 2 - Connection BMS bus
- 3 - Modbus RTU 9-pin SUB-D
- 4 - U_S see ordering information, 6 A fuse recommended

Technical data
Insulation coordination acc. to IEC 60664-1

Rated insulation voltage	AC 250 V
Rated impulse voltage/pollution degree	4 kV/3

Supply voltage

Supply voltage U_S	see ordering information
Frequency range U_S	AC 50...400 Hz, DC
Power consumption	≤ 12 VA

Interfaces
BMS

Interface/protocol	RS-485/BMS (internal)
Baud rate	9.6 kbit/s
Cable length	≤ 1200 m
Cable (twisted in pairs, one end of shield connected to PE)	recommended: J-Y(St)Y min. 2 x 0.8
Mode	Master/Slave
Connection	terminals A/B
Terminating resistor	120 Ω (0.25 W)
Device address, BMS bus	DIP switch 1...30
Alarm LEDs	ON/ALARM/FAULT/BMS

Modbus

Interface/protocol	RS-485/Modbus RTU
Mode	Modbus RTU slave
Connection	9-pin SUB-D
Alarm LEDs	ACTIVE/BF (bus error)/DIAG/RUN
Baud rate	1.2...57.6 kbit/s
Terminating resistor	DIP switch
Address assignment Modbus RTU	DIP switches 1...127

Environment/EMC

EMC immunity	EN 61000-6-2
EMC emission	EN 61000-6-4
Classification of climatic conditions acc. to IEC 60721	
Stationary use	3K5
Transport	2K3
Long-time storage	1K4
Operating temperature	-10...+55 °C
Classification of mechanical conditions acc. to IEC 60721	
Stationary use	3M4
Transport	2M2
Long-time storage	1M3

Connection

Connection	screw-type terminals
Connection properties	
rigid/flexible/conductor sizes	0.2...4/0.2...2.5 mm ² (AWG 22...12)
flexible with ferrule, without/with plastic sleeve	0.25...2 mm ²
Stripping length	8 mm
Tightening torque	0.5 Nm

Other

Operating mode	continuous operation
Mounting	any position
Degree of protection, internal components (IEC 60529)	IP30
Degree of protection, terminals (IEC 60529)	IP30
Type of enclosure	X470
Screw mounting	2 x M4
DIN rail mounting acc. to	IEC 60715
Flammability class	UL94 V-0
Operating manual	TGH1367
Weight	≤ 360 g

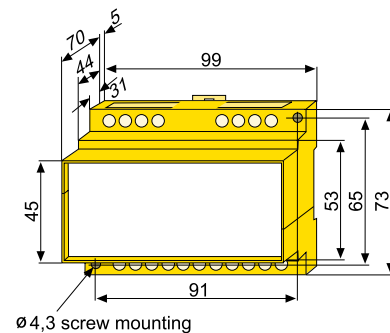
Ordering information

Supply voltage ¹⁾ U_S	Type	Art. No.
AC/DC	FTC470XMB	B 9506 1002
85...276 V		

¹⁾ Absolute value

Dimension diagram X470

Dimensions in mm





Bender GmbH & Co. KG

P.O. Box 1161 • 35301 Gruenberg • Germany
Londorfer Strasse 65 • 35305 Gruenberg • Germany
Tel.: +49 6401 807-0 • Fax: +49 6401 807-259
E-Mail: info@bender.de • www.bender.de



BENDER Group