

Frequencyrelays SFE140

for AC systems without external supply voltage





SFE140

Product description

The frequency relays of the SFE140 series monitor AC systems for underfrequency and overfrequency. External supply voltage is not required. The response value can be set by means of a rotary switch.

Typical applications

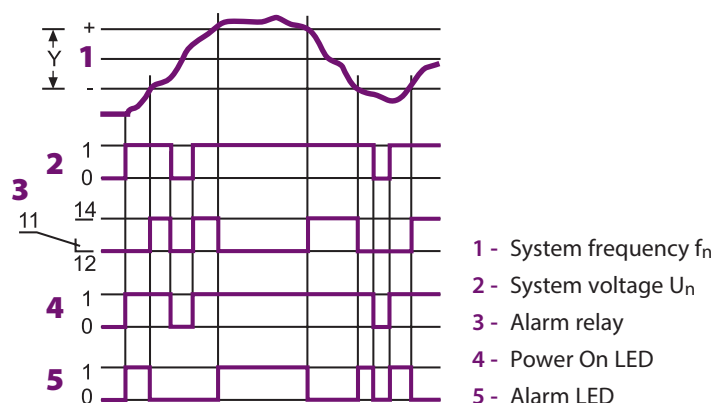
- Monitoring of generators
- Monitoring of electrical energy supply systems

Function

If the system frequency f exceeds the set response value Y , the alarm relay de-energizes and the alarm LED lights. If the measured quantity drops below the release value, the alarm relay switches back to its original state.

Device features

- Monitoring of nominal frequencies of 50/60 Hz
- No external supply voltage required
- 5 device variants for the voltage ranges: 20...30 V, 35...50 V, 85...145 V, 160...280 V, 300...440 V
- Setting range $\pm 0.5... \pm 3$ Hz
- Power On LED, Alarm LED
- Alarm relay with two potential-free changeover contacts
- 45 mm enclosure



Ordering information

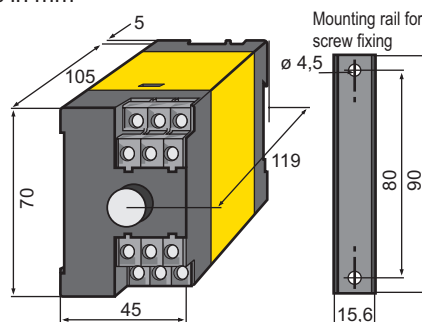
Nominal system voltage U_n	Type	Art. No.
AC		
20...30 V, 50/60 Hz	SFE140	B 925 500
35...50 V, 50/60 Hz	SFE140	B 925 501
85...145 V, 50/60 Hz	SFE140	B 925 502
160...280 V, 50/60 Hz	SFE140	B 925 503
300...440 V, 50/60 Hz	SFE140	B 925 504

Ordering information

Type designation	Art. No.
Mounting rail for screw fixing	B 974 728

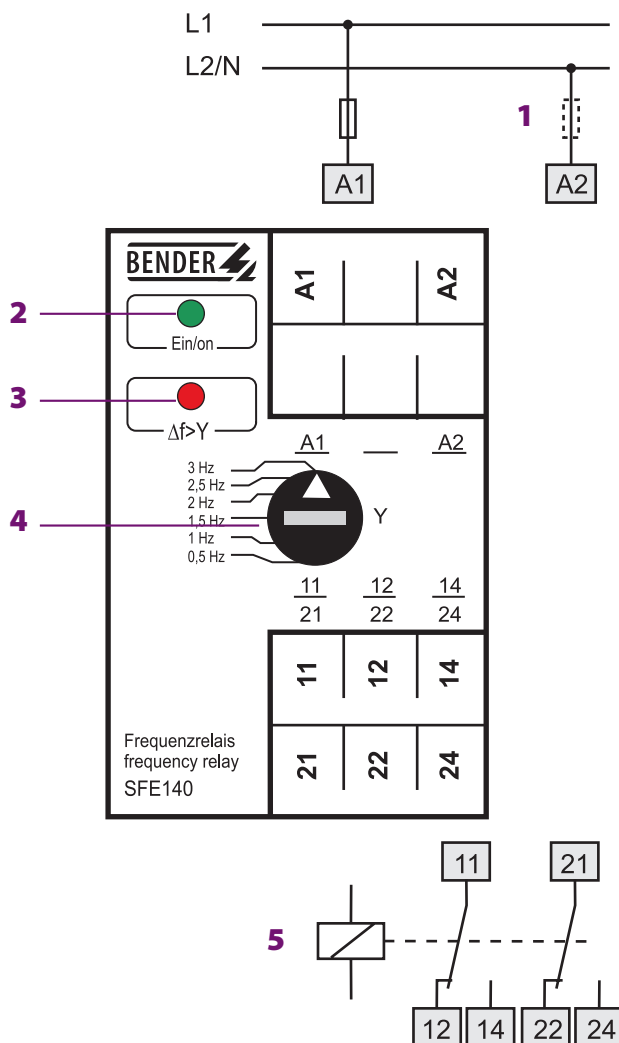
Dimension diagram X140

Dimensions in mm



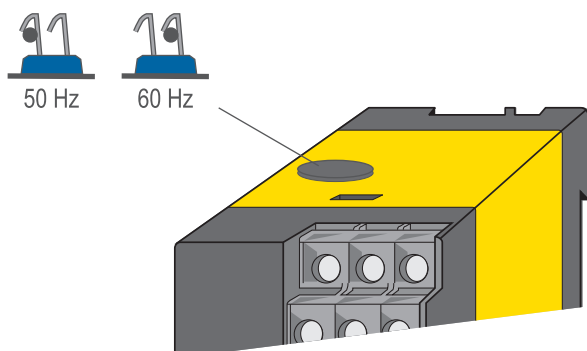


Wiring diagram



- 1 - 6 A fuse
- 2 - Power On LED "Ein/on"
- 3 - Alarm LED "f>Y"
- 4 - Adjustable response value
- 5 - Alarm relay

Setting for 50 or 60 Hz



Technical data

Insulation coordination acc. to IEC 60664-1

Rated insulation voltage	AC 440 V
Rated impulse voltage/pollution degree	2.5 kV/3
Power consumption	≤ 3 VA

Measuring circuit

Nominal system voltage U_n	see ordering information
Frequency f_n	50/60 Hz (50)*
Response value	±0.5...±3 Hz
Response time t_{an}	< 1 s
Hysteresis	< 8 %
Delay on release	< 1 s
Repetition accuracy	±0.5 %
Temperature influence	< 0.05 %/°C

Switching elements

Number of changeover contacts	1 x 2
Operating principle	N/C operation
Electrical service life, number of cycles	12000
Contact class IEC 60255 Part 0-20	IIB
Rated contact voltage	AC 250 V/DC 300 V
Limited making capacity	AC/DC 5 A
Breaking capacity	2 A, AC 230 V, cos phi 0.4 0.2 A, DC 220 V, L/R = 0.04 s

Environment/EMC

EMC immunity	acc. to IEC 61000-6-2
EMC emission	acc. to IEC 61000-6-4
Shock resistance IEC 60068-2-27 (during operation)	15 g/11 ms
Bumping IEC 60068-2-29 (during transport)	40 g/6 ms
Vibration resistance IEC 60068-2-6 (during operation)	1 g / 10...150 Hz
Vibration resistance IEC 60068-2-6 (during transport)	2 g / 10...150 Hz
Ambient temperature (during operation)	-15...+50 °C
Ambient temperature (during storage)	-20...+70 °C
Climatic class acc. to IEC 60721-3-3	3K5 (except condensation and formation of ice)

Connection

Connection	Flat terminals with self-lifting clamp washers
Connection properties	
single wire	2 x (1...1.5) mm ²
flexible without end ferrule	2 x (0.75...1.5) mm ²

Other

Operating mode	continuous operation
Mounting	any position
Degree of protection, internal components (IEC 60529)	IP50
Degree of protection, terminals/with terminal covers (IEC 60529)	IP10/IP20
Screw fixing	with mounting rail
DIN rail mounting acc. to	IEC 60715
Flammability class	UL94V-0
Product standard	IEC 60255-6
Operating manual	BP304001
Weight	≤ 300 g

() * factory setting



Bender GmbH & Co. KG

P.O. Box 1161 • 35301 Gruenberg • Germany
Londorfer Strasse 65 • 35305 Gruenberg • Germany
Tel.: +49 6401 807-0 • Fax: +49 6401 807-259
E-Mail: info@bender.de • www.bender.de



BENDER Group